

AI is a range of pyramidal absorbers made of carbon loaded polyurethane foam, sealed in plastic coating to guarantee the waterproofness of the material.

AI absorbers are designed for outdoor uses (covering of metallic areas, reduction of radar cross section ...)



REFLECTIVITY PERFORMANCES

MINIMUM REFLECTIVITY OF AI in dB for incidence angles close to the normal							
Type	E (mm)	200 MHz	300 MHz	500 MHz	1 GHz	2 GHz	4 to 18 GHz
AI 5	95					-17	-17
AI 9	130				-14	-21	-27
AI 12	155				-18	-28	-30
AI 20	250			-15	-24	-30	-30
AI 30	345			-22	-25	-30	-30
AI 45	495			-28	-30	-30	-30
AI 55	590		-20	-30	-30	-30	-30
AI 66	700	-15	-25	-30	-30	-30	-30

MAIN CHARACTERISTICS

- **Matrix:** 90 % open cell. Polyurethane foam
- **Impregnating agents:** carbon, binder, fire retardant.
- **Colours:** blue (other colours available upon request).
- **Max. service temp.:** [-65 ; +50]°C
- **Power handling:** 0.13 W/cm² max continuous.

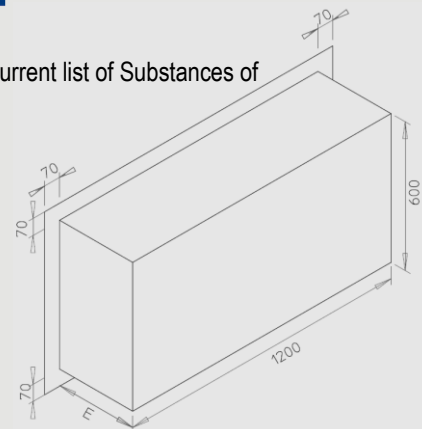
COMPLIANCE TO STANDARDS & DIRECTIVES

Plastic coating fire resistance: M2 (upon request).

Our raw materials are compliant to **RoHS / REACH** and free of substances in the current list of Substances of Very High Concern (SVHC) published by the European Chemicals Agency (ECHA)

DIMENSIONS

Standard sizes: 600 X 1200 mm (other sizes available on request)



METHOD OF USE

AI absorbers can be fitted with either non metallic eyelet placed into the waterproof material or using flanges.

These data are the result of tests performed in our laboratory. They are considered to be the best of our knowledge. The use of the material and the specification of the performances are made under the whole responsibility of users who should ensure themselves that the material is suitable for their purposes.

